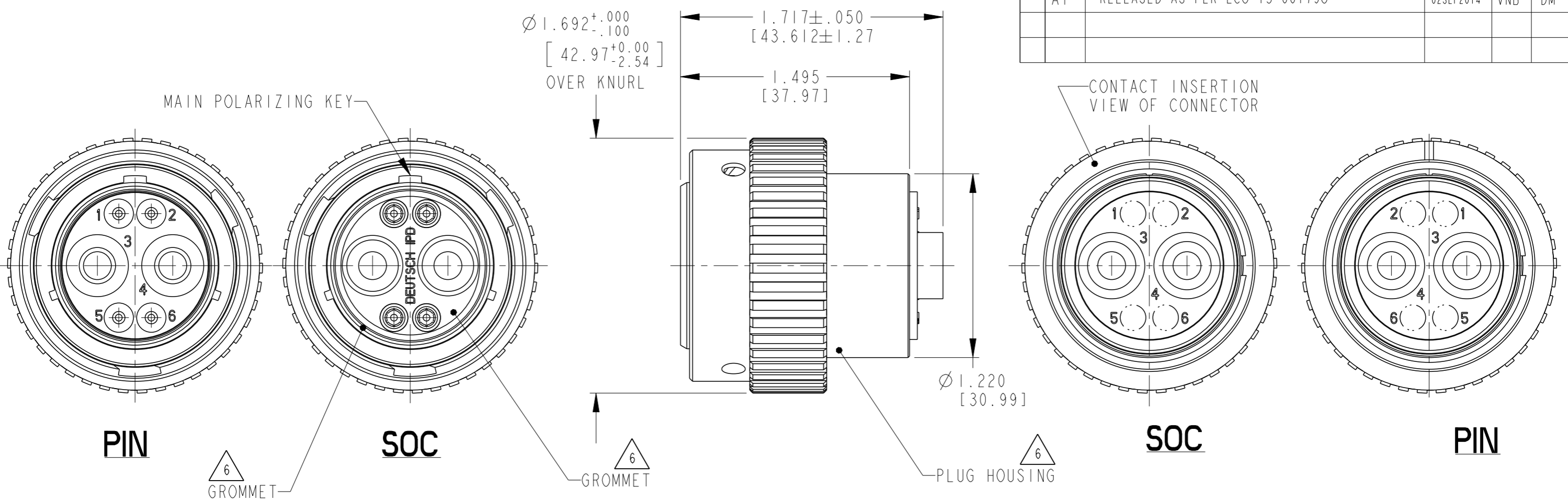


LOC	DIST	REVISIONS				
P	LTR	DESCRIPTION	DATE	DWN	APVD	
-	-	NC	NEW RELEASE PER E.O. PI9931	26JUN2008	-	RDR
-	-	AI	RELEASED AS PER ECO-15-001798	02SEP2014	VNB	DM



4. WHEN X = N: NORMAL SEAL
 WHEN X = E: REDUCED DIAMETER E-SEAL

- 3. THIS CONNECTOR MATES WITH HD36-18-6P/SX-C030. X= TYPE OF SEAL.
- 2. THIS CONNECTOR WILL ACCOMMODATE THE FOLLOWING WIRE INSULATION DIAMETERS:

4 SEAL TYPE	CONTACT SIZE	MIN INSULATION O.D.	MAX INSULATION O.D.	5 WIRE GAUGE AWG [mm ²] RANGE
N	4	.280 [7.11]	.292 [7.42]	6 [13mm ²]
E	4	.261 [6.63]	.292 [7.42]	6 [13mm ²]

1. CONSULT FACTORY FOR ELECTRICAL AND MATERIAL SPECIFICATIONS.

NOTES:

- 6. MATERIAL:
 PLUG HOUSING: AL 6000 SERIES
 SWAGE RING: PA 15%GF (GREEN FOR N-SEAL, BLUE FOR E-SEAL)
 GROMMET: SILICONE VMQ (RED)
- 5. FOR CONTACTS AND WIRES PERFORMANCE AND APPLICATION CHARACTERISTICS SEE ENVELOPE DWG. 0425-015-0000.

THIS DRAWING IS A CONTROLLED DOCUMENT.		DWN 30OCT2014 VIJETH BHARADWAJ		TE Connectivity	
DIMENSIONS: INCHES [mm]		CHK 31OCT2014 I. GRANTCHAROVA			
		TOLERANCES UNLESS OTHERWISE SPECIFIED:		NAME PLUG CONNECTOR 18-6 ARR. BAYONET COUPLING-C030 MOD	
		0 PLC ±- 1 PLC ±- 2 PLC ±- 3 PLC ±.010 [±.254] 4 PLC ±- ANGLES ±0° 30' 0"		APVD 31OCT2014 D. MEYER	
MATERIAL SEE NOTE		FINISH -		PRODUCT SPEC 0425-016-0000	
				APPLICATION SPEC 0425-015-0000	
				WEIGHT -	
				SIZE A3	CAGE CODE -
				DRAWING NO C=HD36-18-6P/SX-C030	
				RESTRICTED TO -	
				Customer Drawing	
				SCALE NONE	SHEET 1 OF 1
				REV AI	